

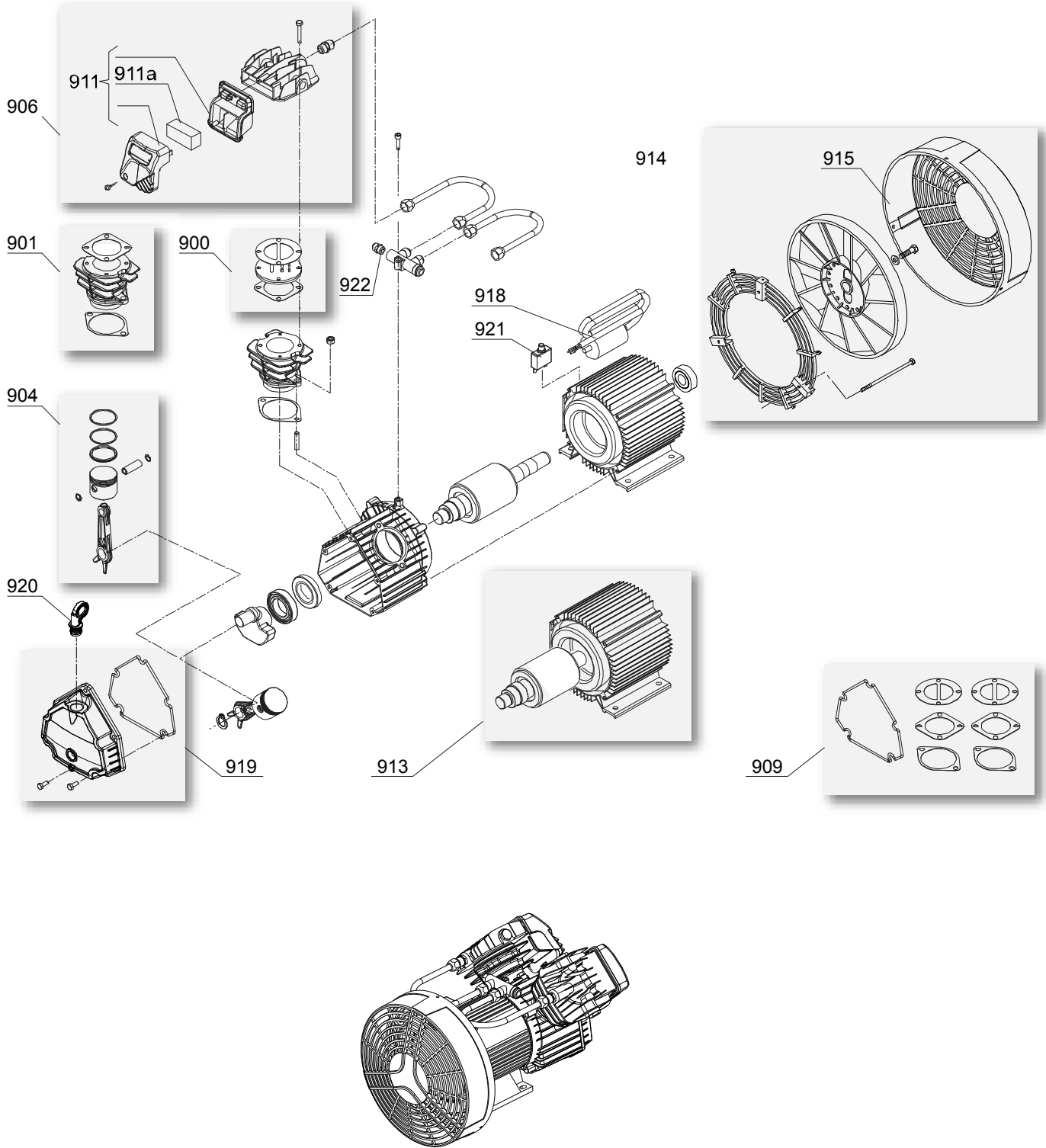
**Catalogo parti di ricambio**  
**Spare parts catalogue**  
**Ersatzteilkatalog**  
**Catalogue pieces detachees**  
**Catalogo de repuestos**

Model:..... **MV30 [MULTI]** .....

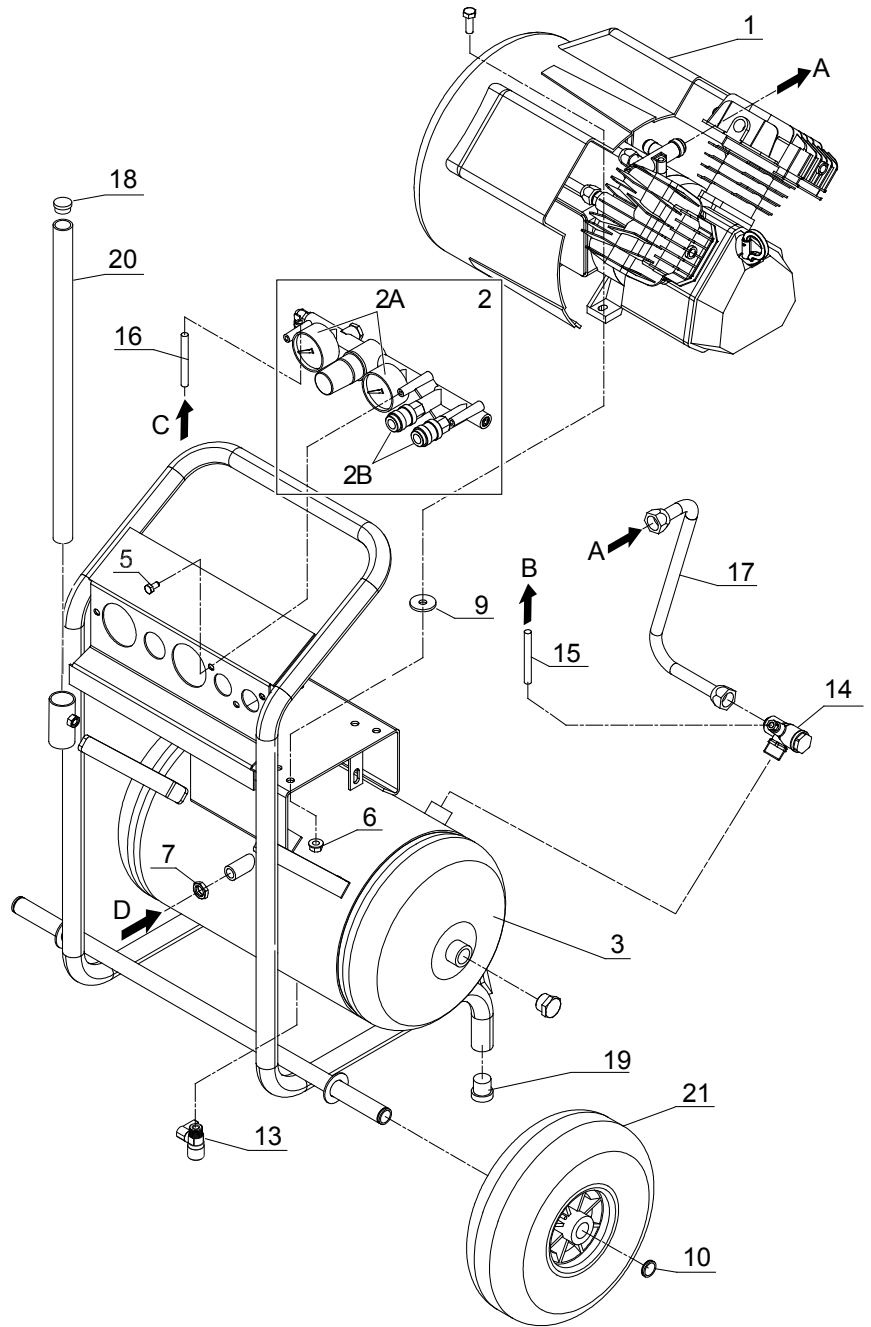
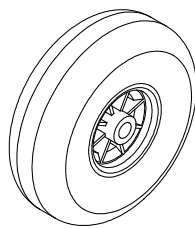
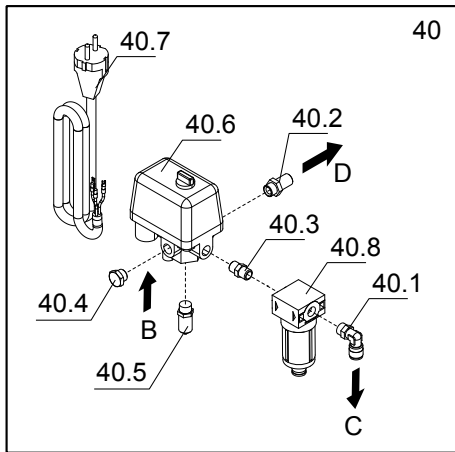
Code:..... **1122020718** .....

Valid from: ..... **01/09/2017** .....

Model: ..... MV30 [MULTI] .....  
 Code: ..... 1122020718 .....  
 Valid from: 01/09/2017 .....  
 Tav.: ..... 1122020718\_00 .....









Model: ..... SUPERMAGNUM VX 304 .....  
 Code: ..... 1121090810 .....  
 Valid from: 01/09/2018 .....  
 Tav.: ..... SUPERMAGNUM VX\_01 .....

N°	Code	Q.ty	Q.ty*	Description	N°	Code	Q.ty	Q.ty*	Description
1	1122020700	1		GRUPPO VX304 unit					
2	1124140033	1		KIT CRUSCOTTO INSTRUMENTS PANEL KIT					
2a	1127110030	2	20	MANOMETRO PRESSURE GAUGE					
2b	1127130057	2		RUBINETTO UNIVERSALE TAP					
3	1125150079	1		SERBATOIO TANK					
5	1127010192	4		VITE SCREW					
6	1127020024	5		DADO NUT					
7	1127020304	1		CONTRODADO LOCK NUT					
9	1127360046	4		GOMMINO RUBBER FOOT					
10	1127040202	2		SEEGER INTERNAL SNAPRING					
13	1127130016	1	20	RUBINETTO SPURGO DISCHARGE TAP					
14	1127190019	1	20	VALVOLA DI RITEGNO CHECK VALVE					
15	1127230001	0,2		TUBO RILSAN RILSAN TUBE					
16	1127230008	0,5		TUBO RILSAN RILSAN TUBE					
17	1127230636	1		TUBO ALIMENTAZIONE INFEEED HOSE					
18	1127360019	1		GOMMINO RUBBER FOOT					
19	1127360004	2		PIEDE IN GOMMA RUBBER FOOT					
20	1127390848	1		MANICO HANDLE					
21	1127260047	2		RUOTA WHEEL					
40	1124050834	1		KIT PRESSOSTATO PRESS. SWITCH KIT					
40.1	1127080097	1		RACCORDO FITTING					
40.2	1127080114	1		RACCORDO FITTING					
40.3	1127080012	1		RACCORDO FITTING					
40.4	1127090007	1		TAPPO PLUG					
40.5	1127190201	1	20	VALVOLA DI SIC. RELIEF VALVE					
40.6	1127250002	1	20	PRESSOSTATO PRESSURE SWITCH					
40.7	1127320907	1		CAVO ALIMENTAZIONE POWER CABLE					
40.8	1127100052	1		FILTRO CONDENSA FILTER					

Q.ty = Quantità unitaria / Single unit quantity / Quantité unitaire / Cantidad unitaria / Einzeleinheitsmenge

Q.ty\* = Ricambi consigliati in percentuale / Suggested spare parts in percentage / Pièces de rechange suggérées en pourcentage / Piezas de repuesto sugeridas en porcentaje / Vorgeschlagene Ersatzteile in Prozent