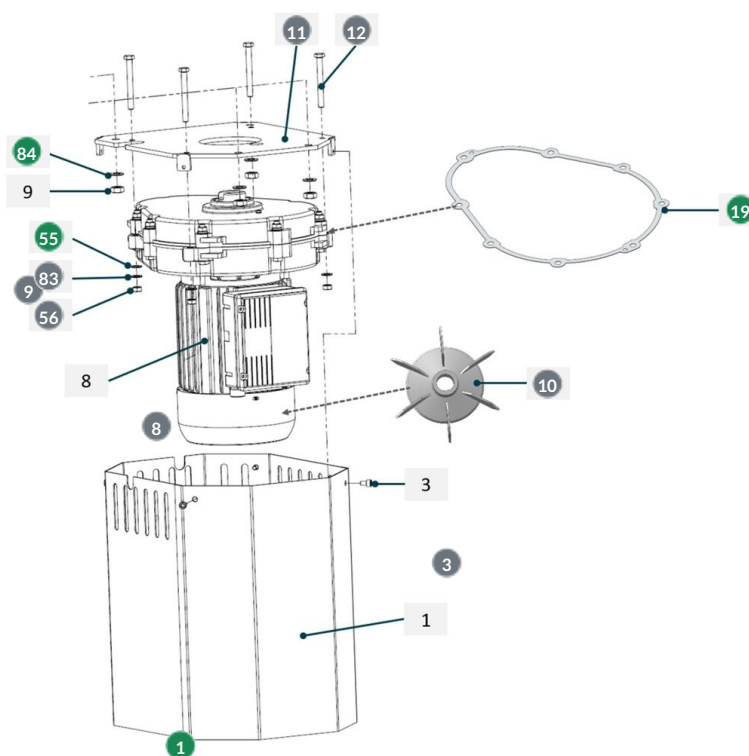


# Collomix TMX 1000 | Compactmenger 2,0kW 80L

Collomix TMX 1000 | Compactmenger 2,0kW 80L – p.19

TMX 1000 230V EU | Antrieb



| #  | Code  | Description   | Price      |
|----|-------|---|------------|
| 1  | 37265 | Kroon-Oil Syngear MT/LD 75W-80   Synthetische Transmissieolie   60L - 37265 | 1.00 €     |
| 3  | 50898 | DIN 933 6-Kant-Schraube M6x12 (0,90 €)                                      | —          |
| 8  | 37252 | Getriebemotor 230V 50Hz (610,82 €)  | —          |
| 9  | 50806 | DIN 934 6-Kant-Mutter M10 (0,90 €)  | —          |
| 11 | 37287 | Anschraubflansch (29,40 €)  | —          |
| 12 | 51206 | DIN 933 6-Kant-Schraube M8x75 (0,90 €)                                      | —          |
| 55 | 50027 | CONTIMAC   BS 402 Bandzaagmaschine (3x400v) - 50027                         | 7,999.00 € |
| 56 | 51187 | DIN 936 6-Kant-Mutter M8 (0,90 €)   | —          |
| 83 | 50006 | DIN 127 Federring B8 (0,90 €)   | —          |

| #   | Code  | Description   | Price      |
|-----|-------|---|------------|
| 84  | 50002 | CONTIMAC   Autocut 160 Metaalbandzaagmachine - 50002                    | 1,799.00 € |
| 109 | 37343 | Lüfterrad für Getriebemotor (9,70 €)                                    | —          |
| 198 | 37376 | Kroon-Oil Cleansol   Ontvetter   Laagaromatisch & Hoog Vlampunt - 37376 | 1.00 €     |