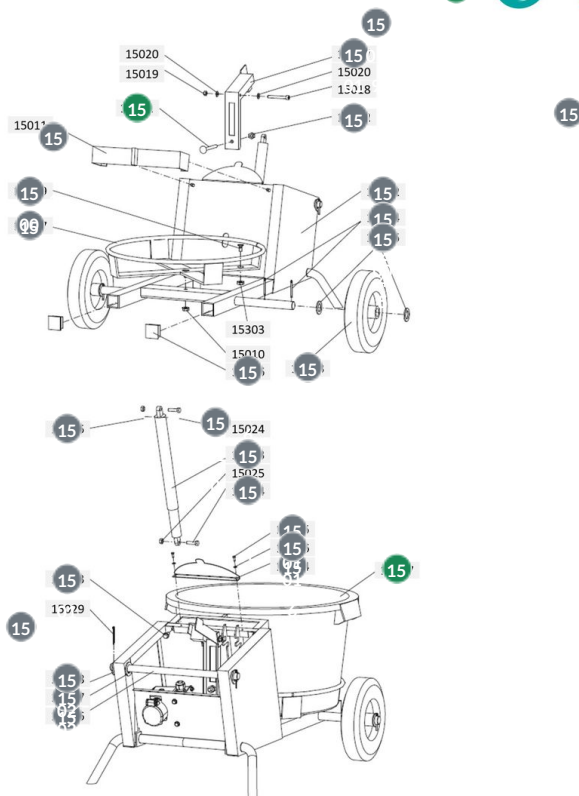


Collomix XM 2-650 | Dwangmenger 1,1kW 230V 65L

Collomix XM 2-650 | Dwangmenger 1,1kW 230V 65L – p.3

XM2-650 230V EU | Base frame



#	Code	Description	Price
15002	60307	Cart XM2-650/XM3-900 515.87	—
15003	60005	Wheel solid rubber 29.36	—
15004	50000	DIN 94 Splint 4x40 0.90	—
15005	51000	DIN 1440 washer d26 1.00	—
15006	45736	Filler plug 40x40x3 2.20	—
15007	70140	Bucket guidance 128.80	—
15009	51023	DIN 963 countersunk screw M10x20 0.90	—
15010	50090	Self-locking nut M10 F90 0.90	—
15011	60308	Bucket stop 65l 64.10	—

#	Code	Description	Price
15013	50088	Self locking screw M8x16 0.90	—
15014	60310	Deflector 14.30	—
15015	51001	DIN 7976 self-tapping screw 4,2x13 0.90	—
15016	50023	DIN 125 washer B4,3 0.90	—
15017	60311	Rocker 40.40	—
15018	51027	DIN 912 socket head screw M8x65 0.90	—
15019	50871	DIN 985 hex nut M8 0.90	—
15020	50027	CONTIMAC BS 402 Bandzaagmachine (3x400v) - 50027	7,999.00 €
15021	50600	CONTIMAC Zaaglint Bimetaal (BS 325) - 50600	59.00 €
15022	50806	DIN 934 hex nut M10 0.90	—
15023	60312	Gas pressure spring with tube 85.75	—
15024	50968	DIN 912 socket head screw M8x30 0.90	—
15025	50871	DIN 985 hex nut M8 0.90	—
15026	60313	Axle swivel arm 45.30	—
15027	60314	DIN 125 washer d21x3 0.90	—
15028	50038	DIN 125 washer A21 0.90	—
15029	50000	DIN 94 Splint 4x40 0.90	—
15277	60403	Collomix Mortelemmer 65L Zwart	38.90 €