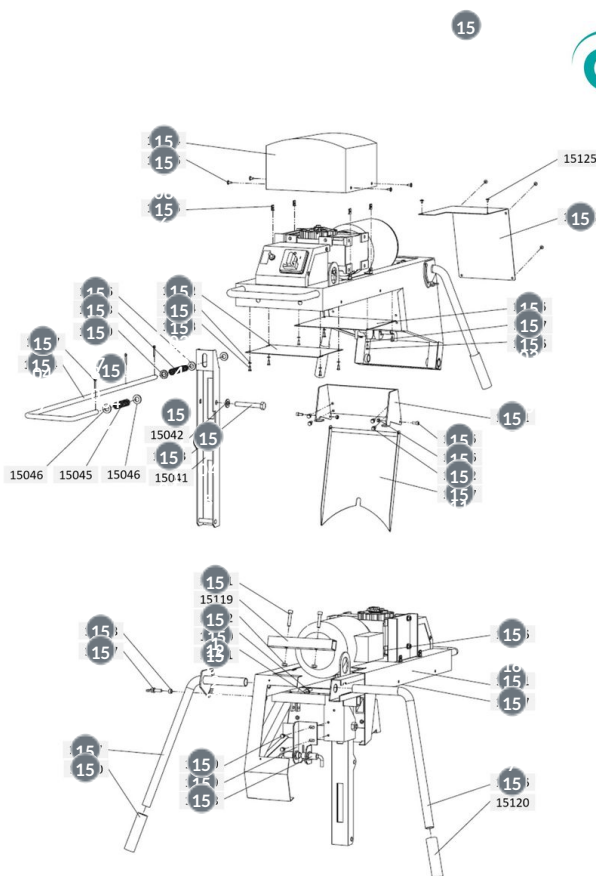


Collomix XM 2-650 | Dwangmenger 1,1kW 230V 65L

Collomix XM 2-650 | Dwangmenger 1,1kW 230V 65L – p.6

XM2-650 230V EU | Swivel arm



#	Code	Description	Price
15031	60315	Swivel arm activ 721.02	—
15032	60316	Cover arm front 16.09	—
15033	51001	DIN 7976 self-tapping screw 4,2x13 0.90	—
15034	50032	DIN 125 washer B5,3 ST 0.90	—
15035	60317	Cover arm rear 16.33	—
15036	51001	DIN 7976 self-tapping screw 4,2x13 0.90	—
15037	50032	DIN 125 washer B5,3 ST 0.90	—
15039	60319	Carrier for proximity switch 18.40	—
15040	50067	Self locking screw M6x12 0.90	—

#	Code	Description	Price
15041	60320	Notch lever 49.20	—
15042	50033	DIN 127 split washer B12 0.90	—
15043	51037	DIN 933 hex screw M12x85 0.90	—
15044	60405	Locking bolt 38.70	—
15045	60042	Compression spring 2.70	—
15046	50129	DIN 125 washer B13,0 zn 0.90	—
15047	51038	DIN 94 Splint 4x25 0.90	—
15048	60043	Compression spring 2.70	—
15060	60086	Socket PM 2H25-M 0.90	—
15061	61116	Cable tie L 295mm 0.90	—
15064	60328	Gear cover 81.20	—
15065	50069	Sheet-metal nut 4,8 mm 15 mm long 0.90	—
15066	50068	DIN 968 self-tapping screw 4,8x13 0.90	—
15105	50963	DIN 912 socket head screw M6x12 0.90	—
15106	51043	DIN 985 self-locking nut M6 0.90	—
15107	60331	Apron XM2-650/XM3-900 33.38	—
15111	60333	Bucket fixation 65l 33.10	—
15112	50067	Self locking screw M6x12 0.90	—
15116	60334	Handle right 48.31	—
15117	60335	Handle left 48.35	—
15118	60368	Press-in nut M8 S-M8-1 1.10	—
15120	60337	Handle Helios 2.40	—
15121	50883	DIN 912 socket head screw M8x40 0.90	—
15122	50871	DIN 985 hex nut M8 0.90	—
15124	60339	Cover 33.10	—
15125	51048	Recessed head screw M4x8 0.90	—
15148	62014	Proximity switch 18 mm 132.27	—
15166	71548	Cable motor 23.50	—

#	Code	Description	Price
15257	50209	DIN 316 thumbscrew M8x40 1.50	—
15287	61116	Cable tie L 295mm 0.90	—
15370	60188	Contact washer M12 0.90	—